

# Scupper Swift BOAT CART ASSEMBLY



## USING YOUR SCUPPER SWIFT

Adjust the spacing of the uprights to match the width of the scupper holes on your boat. Do this by releasing the black lever on axle, adjusting width and tightening lever to secure.

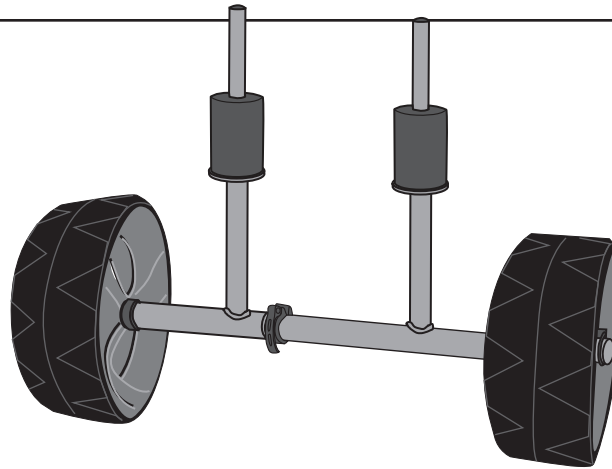
Lift boat and insert uprights into scupper holes. Gently lower the boat onto cart.

Once to the water, you can take off the wheels and fold the frame for storage in the boat.

## CARE:

If the cart is used in or around salt water, rinse it off and dry it to prevent corrosion.

Do not over tighten the strap when connecting the boat to the cart; this can damage your boat.

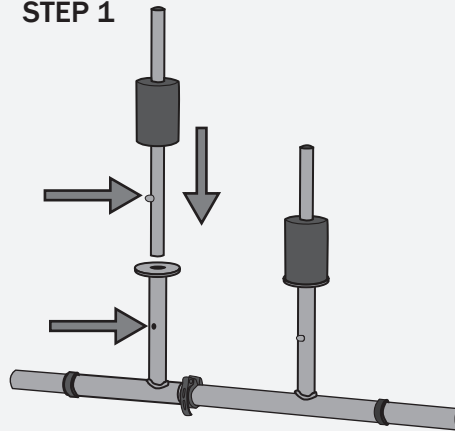


## ASSEMBLY

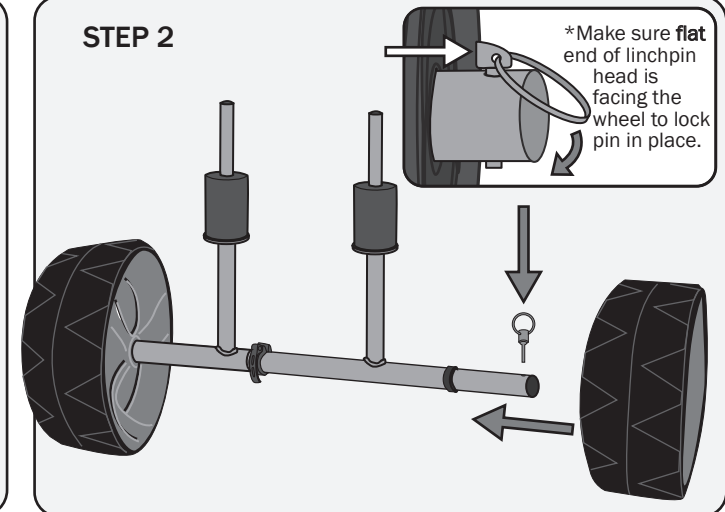
**STEP 1:** To install uprights, press the push button and insert into the vertical post. Align the push button with button hole until it pops into place.

**STEP 2:** Slip on each wheel and insert the cotter pin into the hole at the end of the axle. Flip O-ring over the end of the axle to lock tire in place.

## STEP 1



## STEP 2



## WARNING

Due to the fact that Seattle Sports does not have control over how this boat cart is used, Seattle Sports disclaims any and all liability for damage or injury that might occur as a result of the improper use of this product.

## WARRANTY

Seattle Sports products are guaranteed for materials and workmanship for one year. This warranty is only applicable if all instructions are followed and product is used as recommended. Normal wear and tear or damage from misuse, accident, or alterations are not covered. Use of this product in a professional setting is not covered. Seattle Sports assume no liability for incidental damages or injuries resulting from the use or misuse of this product. You may have additional warranties or limitations outlined in product packaging. Thank you for purchasing our products. Please contact us with any questions or concerns about our products. Seattle Sports Company, 3217 W. Smith St #1, Seattle WA 98199. Copyright 2016 seattle **sports** co.com

