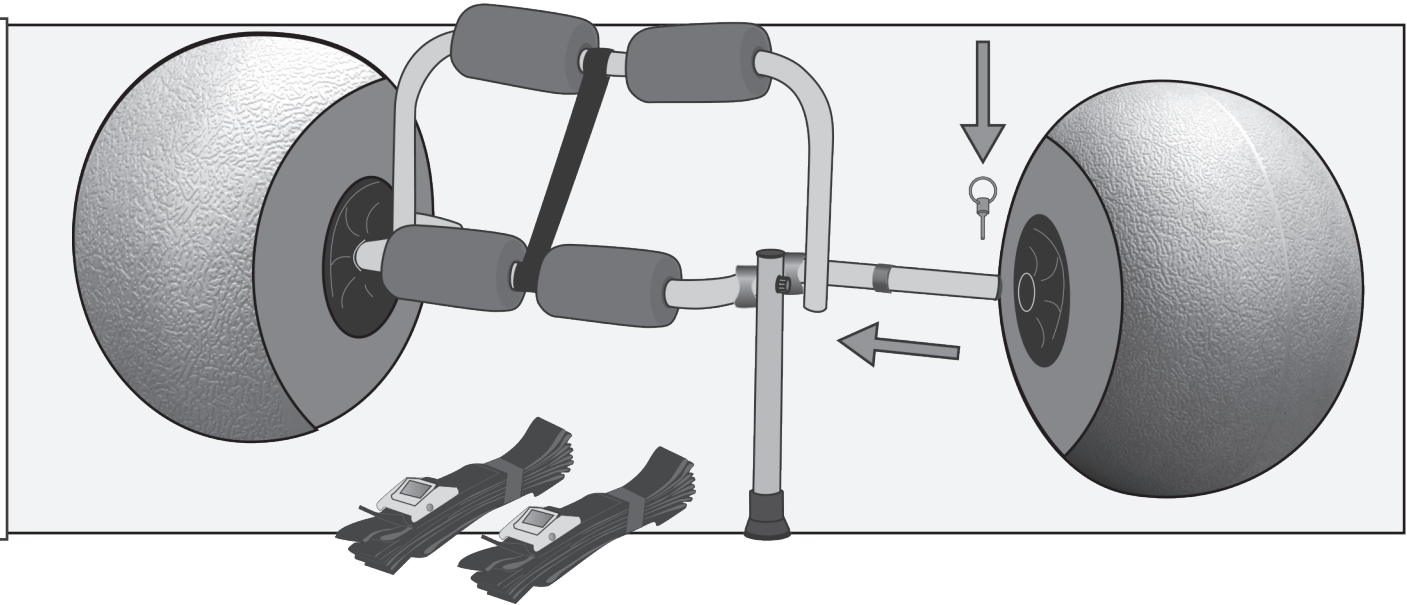


BIG SAND SURFER CENTER CART ASSEMBLY



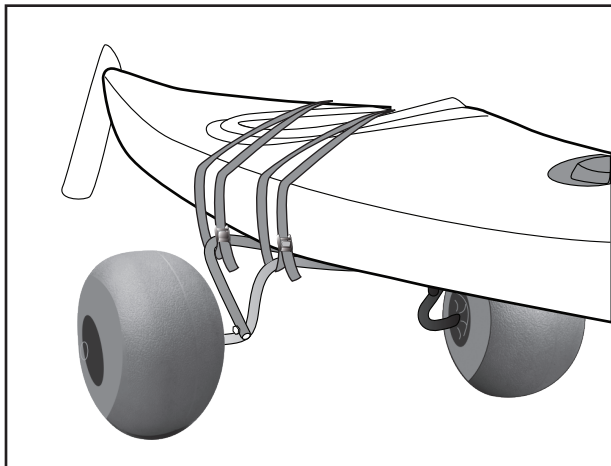
USING YOUR BIGSANDSURFER CART

1. Unfold the cart frame.
2. Place next to your kayak, canoe, or SUP, about a foot behind the center. Lift the bow of the boat and rotate until the boat is above the cart.
3. Gently lower the boat to the cart. Use provided straps to secure the boat to the cart.
4. At your destination, take off the wheels and fold the frame for storage in the boat.



ASSEMBLY:

Your frame should be assembled for you. Slip on the wheel, valve stem facing out. Insert the cotter pin into the hole at the end of the axle. Flip the O-ring over the end of the axle to lock tire in place.



CARE:

The tires should be inflated to approximately 2-4psi. Lower pressure can be used for use in soft sand.

CAUTION: INFLATE WHEELS WITH MANUAL PUMP ONLY. OVER-INFLATION OF WHEELS CAN RESULT IN SEVERE INJURY.

If the cart is used in or around salt water, rinse it off and dry it to prevent corrosion.

Do not over-tighten the strap when connecting the boat to the cart as this can damage your boat.

WARNING: Due to the fact that Seattle Sports does not have control over how this boat cart is used or how it is attached to a boat, Seattle Sports disclaims any and all liability for damage or injury that might occur as a result of the improper use of this product.

WARRANTY: Seattle Sports products are guaranteed for materials and workmanship for one year. Normal wear and tear or damage from misuse, accident, or alterations are not covered. Use of this product in a professional setting is not covered. Seattle Sports assume no liability for incidental damages or injuries resulting from the use or misuse of this product. Thank you for purchasing our products. Please contact us with any questions or concerns about our products. Seattle Sports Company, 3217 W. Smith St #1, Seattle, WA 98199. Made in China. © 2017 Seattle Sports Co. contact@seattlesportsco.com