



# LASHMATES SUPERSUK BOTTLE CAGE INSTRUCTIONS

## USING YOUR LASHMATES™ SUPERSUK BOTTLE CAGE

\*Lashmates™ SuperSuk system can be attached to any smooth, clean surface like your boat or SUP

**STEP 1**  
Clean surface and let dry. (Suction cup must be attached to a surface free of dirt, dust, or debris.)  
\*SuperSuks will not adhere to textured surfaces

**STEP 2**  
Place suction cup in desired location and hold in place using “press” button. Push lever down until it clicks. The Bottle Cage is now attached.

**STEP 3**  
Pop your water bottle into the Bottle Cage. Cage fits most water bottle sizes.

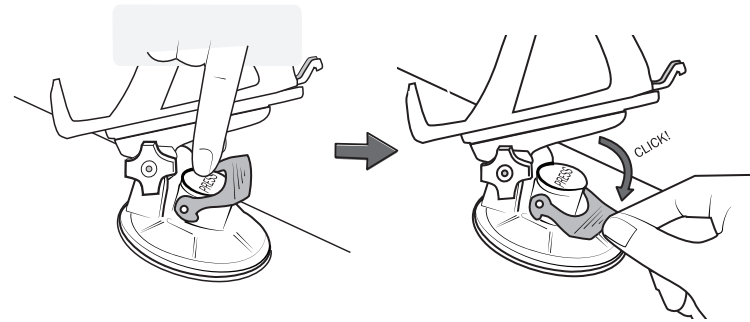
**STEP 4**  
Bottle cage will pivot by loosening or tightening the knob.

**STEP 5**  
To remove or reposition the Bottle Cage, simply release the lever.

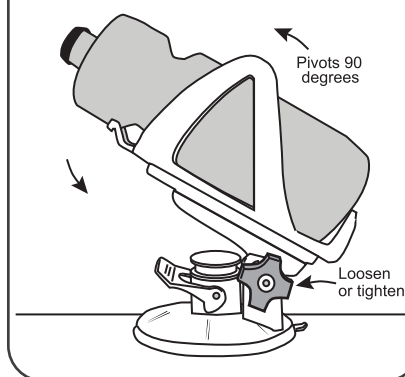
STEP 1



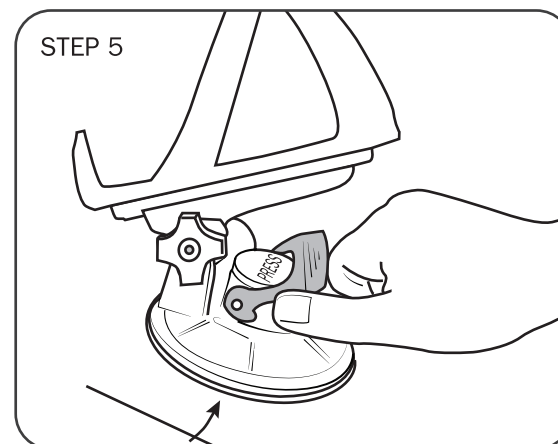
STEP 2



STEPS 3 & 4



STEP 5



## WARNING

Due to the fact that Seattle Sports does not have control over how this device is used, Seattle Sports disclaims any and all liability for damage or injury that might occur as a result of the improper use of this product.

## WARRANTY

Seattle Sports products are guaranteed for materials and workmanship for one year. Normal wear and tear or damage from misuse, accident, or alterations are not covered. Use of this product in a professional setting is not covered. Seattle Sports assumes no liability for incidental damages or injuries resulting from the use or misuse of this product. You may have additional warranties or limitations outlined in product packaging. Thank you for purchasing our products. Please contact us with any questions or concerns about our products. © Seattle Sports Company. 217 W Smith St #1, Seattle WA 98199. info@seattlesportsco.com

