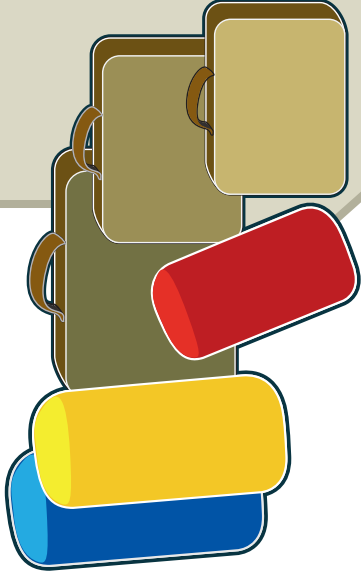


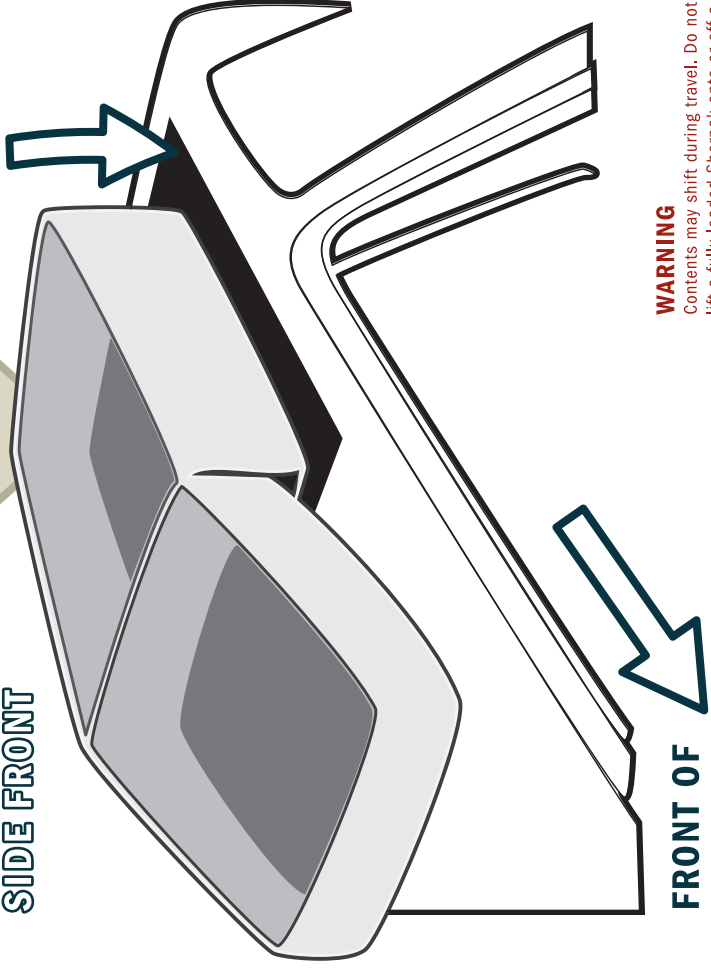
CAR TOP CARRIER SHERPAK ELITE INSTRUCTIONS

Stuff Goes In

Evenly distribute the weight of your stuff and, when you zip it up, make sure the zipper isn't exposed.



NON-ZIPPERED SIDE FRONT



Handy Tips!

Wash the top of your car or the bag will trap dirt and your paint could get scratched.

Don't throw stuff into your carrier when it's on your car. You could damage your vehicle's roof.

Our Sherpak Super Mat (not included) helps protect your car top. Go to seattlesportscos.com to check them out.

Careful now!

When stopping, always check your straps and buckles before continuing your journey.

Don't load your Sherpak on the ground, then try and transfer it to your roof. Lifting heavy objects may cause personal injury. You may damage the roof of your car. Finally, excessive pressure on any sewn point of the Sherpak may cause irreparable damage.

Maintenance

Sherpaks are made from heavy-duty coated vinyl which can easily be washed with soap and water. If you want to maximize its lifespan, clean it with vinyl conditioner every once in a while.

Keep sharp objects away from the webbing. When you aren't using it, fold up the Sherpak with the webbing and buckles in the middle to protect them.

Elite Performance!

The elite features an inner protection flap. Make sure the inner zipper isn't exposed when you zip up the outer storm flap.

WARNING

Contents may shift during travel. Do not attempt to lift a fully loaded Sherpak onto or off a vehicle. Always secure your Sherpak each time before driving. If you hear excessive flapping noise

immediately pull over and check to make sure the Sherpak is firmly secured. Be extremely careful to make sure sharp or heavy objects are well-padded within the Sherpak. If there is any question, put these objects inside your vehicle.



SEATTLE SPORTS COMPANY
3217 W Smith St. #1
Seattle, WA. 98199
© 2011 Seattle Sports Co.

WARRANTY

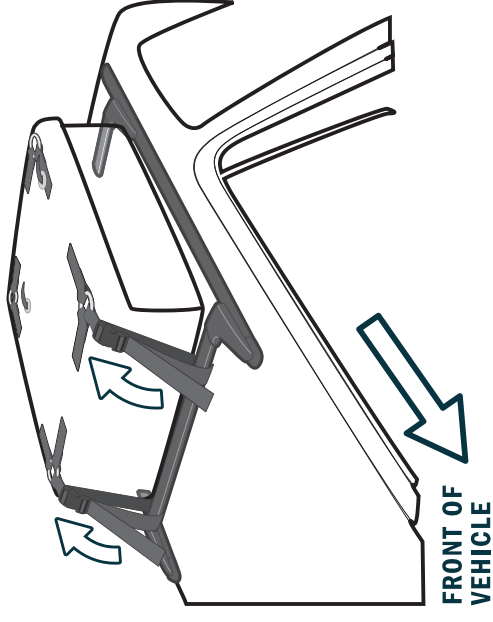
Seattle Sports Company are guaranteed for materials and workmanship for one year. This warranty is applicable only if all instructions are followed and the product is used as recommended. Normal wear and tear or damage from misuse, accident or alterations are not covered. Use of this product in a professional setting is not covered.

The purchaser and/or user of this product acknowledges that Seattle Sports has no control over the attachment of its products to vehicles, nor control over what items are loaded into this product. Seattle Sports assumes no responsibility

for any damage to any property or persons arising out of improper attachment, use or loading of this product. This limited warranty is in lieu of all other warranties expressed or implied, and does not cover consequential damages of any kind that may arise from use or misuse of any Seattle Sports product.

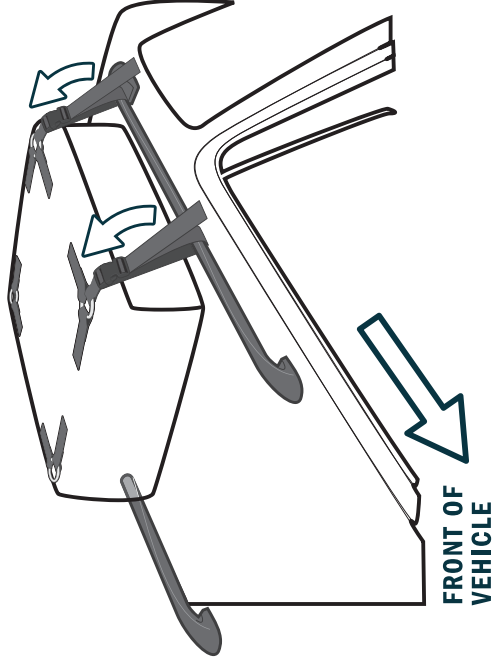
Make sure the top of your Sherpak is securely fastened. Firmly secure the lateral compression straps over the top of the Sherpak. Failure to do this may result in wind damage, for which Seattle Sports cannot be held responsible.

SHERPAK ELITE INSTRUCTIONS



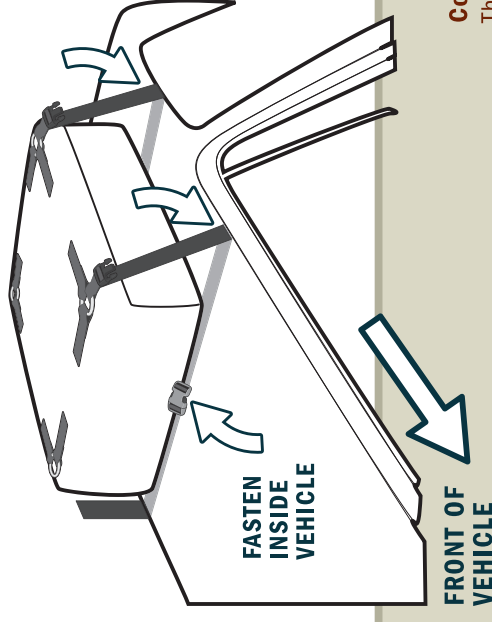
Front Bar Mount

Rotate the 2 in. straps toward the front of your vehicle. Loop the straps under your rack bars and snap the buckles closed. Tighten the straps until they fit snugly; don't cinch so tight that you damage your roof or rack bars. Tuck the excess straps into the attached strap keeper. Repeat with with rear straps (toward rear of vehicle).



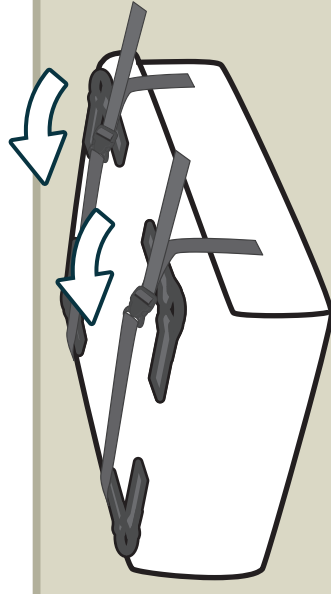
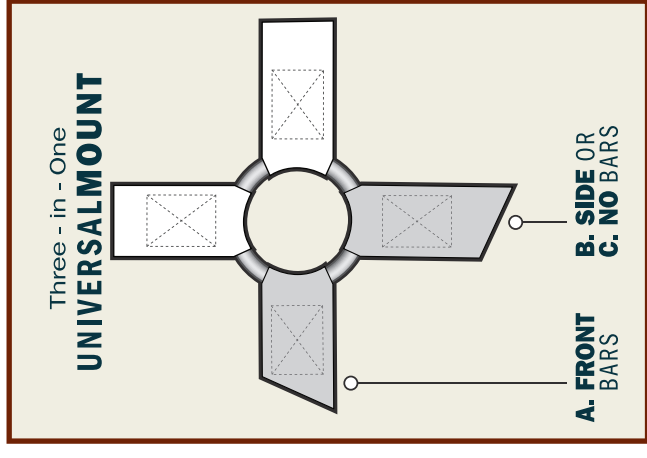
Side Bar Mount

Rotate the 2 in. straps toward the sides of your vehicle. Loop the straps under your rack bars and snap the buckles closed. Tighten the straps until they fit snugly; don't cinch so tight that you damage your roof or rack bars. Tuck the excess straps into the attached strap keeper.



No Bar Mount

Rotate the 2 in. straps toward the sides of your vehicle. Thread the straps through the interior of the vehicle and fasten together. Tighten the straps until they fit snugly; don't cinch so tight that you damage your roof.



Compression Straps

The side-mounted compression straps should be firmly secured over the top of the Sherpak Go! before driving.